

INSTALLATION GUIDELINES

PLANTINO NEXIS



Signature[®]
signaturefloors

PLANTINO NEXIS

INSTALLATION GUIDELINES

Thank you for choosing *Plantino Nexis*. When properly installed and cared for, your new flooring will be easy to maintain and will keep its great look for years. Please read all the instructions before you begin the installation. Improper installation will void the warranty.

GENERAL CONDITIONS

A good preparation is essential for a smooth installation. *Plantino Nexis* can be installed on concrete, timber, ceramic and many other sub-floors which have been suitably prepared.

The effective application of *Plantino Nexis* is dependent on suitable site conditions.

Plantino Nexis is intended to be installed in internal locations only. It is not to be installed in areas that are exposed to the elements, such as semi-covered/"alfresco" outdoor areas, porches, garages etc.

IMPORTANT NOTICE

All wood-based products, even those specifically designed to have increased resistance to moisture, are hygroscopic (they will react to the moisture in the environment) and as a result will expand or contract accordingly. All sources of under floor moisture must be rectified prior to the installation of the floor. Any construction dampness must be completely dry.

SUBSTRATE PREPARATION

Sub-floor preparation is vital for a good installation. The finished appearance of an *Plantino Nexis* floor will be as good as the quality of the base over which it is installed. Any intense irregularities in the sub-floor may affect performance.

The product can be installed on substrates with grout joints or grooves if these are less than 5 mm in width and 4 mm in depth. Depressions, deep grooves, expansion joints and other subfloor imperfections that do not meet this requirement must be filled with approved patching & leveling compound prior to installation.

Excessive sub-floor moisture may result in smell or mold below the flooring. Concrete substrate moisture should not exceed 90% RH (relative humidity) when tested in accordance with ASTM F 2170.

Wooden sub-floors must be constructed according to local building codes, be structurally sound and deflection free. Repair any squeaky floor boards prior to installation, sand or plane high spots, fill all low spots to ensure the sub-floor levelness does not exceed ± 5 mm over 3000mm span.

- Timber subfloors must have no more than 12% Mc (moisture vapor content)
- Lay the new flooring crossways to the existing floorboards.
- Wooden sub-floors constructed over a crawl space must have adequate ventilation, and minimum ground clearance of 450mm.

Concrete Sub-floors

- The sub-floor must be firm, flat, smooth, clean, dry, and free from defects and fit for purpose and have less than ± 5 mm over 3000mm deflection in any direction.
- Must be constructed according to local building codes.
- Existing concrete sub-floors must be fully cured, at least 60 days old, smooth, permanently dry, clean, and free of all foreign material such as dust, wax, solvents, paint, grease, oils, and old adhesive residue.
- The sub-floor must be dry. Comply with Mc requirements and tested as per one of below methods:
 - Concrete vapor moisture emissions should not exceed 8 lb/3.63kg MVER (moisture vapor emission rate) per 1000ft²/100m² per 24 hours. This can be measured with a calcium chloride test (ASTM F1869).
 - 90 % RH (ASTM F2170) with a PH limit of 9.
 - Max 5.5% moisture content when tested using electrical resistance.
- Substrates must be free from excessive moisture or alkali. Remove dirt, paint, varnish, wax, oils, solvents, any foreign matter and contaminants.
- A minimum 6 mil/0.15mm plastic poly sheeting should be used as a moisture barrier between the concrete sub-floor and the flooring; Signature Luxelay 2mm Underlay is compliant.
- If required, a suitable levelling compound should be used to ensure that no irregularities impact the finished floor. However, the selection of suitable materials, including smoothing and levelling compounds and any ancillary products used for floor preparation must be used in accordance with the manufacturers' recommended instructions.

ACCLIMATISATION

Plantino Nexis performs to its specifications when laid at room temperature between 18°C–30°C. The product should be acclimatised within the room it is to be laid at least 48 hours prior to installation.

PLANTINO NEXIS

INSTALLATION GUIDELINES

- The room temperature must be between 65–85F/18–30C and the relative humidity should be maintained between 30–65% before and during installation.
- After installation, make sure that the flooring is not exposed to temperatures less than 60F/15C or greater than 95F/35C at 30–65% relative humidity.

Ensure that the packs are stored lying flat, never on edge, stacked squarely and away from vents and direct sunlight. It is recommended that you black out windows where direct sunlight streams in onto the floor to allow for continuity across the whole area to be laid.

PRE-INSTALLATION

1	Prior to installation, inspect material in daylight for visible faults/damage, including defects or discrepancies in color or gloss; check the edges of the flooring for straightness and any damage. No claims on surface defects will be accepted after installation.
2	Check that the tongue and groove of the Click laminate profile is free from dirt and undamaged.
3	The surface beneath the floor must be sufficiently prepared in advance to guarantee successful fitting of the floor covering. In particular, it must be clean, dry, smooth, firm, level, free from defects and not contaminated with grease, oil or chemicals.
4	Undercut all door jambs and ensure the compatibility of the underlay being used.
5	Ensure 10mm gap around perimeter of the room and fixtures.
6	Ensure expansion joints are used in areas exceeding 20m in either direction. Flooring that overlaps to new rooms and floor surfaces which do not join symmetrically, use transition moldings to facilitate 10mm transition gap.
7	<i>Plantino Nexis</i> is a "floating" floor. The panels should not be glued or fixed to the surface below. Do not fix skirting boards to laminate flooring.
8	Do not install heavy fixed objects such as kitchen cabinets directly over the floor planks. The floating installation requires the flooring to move freely.

VAPOR BARRIER AND UNDERLAY

Signature Floors recommends the use of LuxeLay™ underlay on all installations, this a combined vapour barrier and 2mm closed cell underlay, which will provide a moisture barrier on concrete and wooden substrates, along with acoustic and insulation comfort benefits. The importance of an underlay cannot be overstated. Proper application and installation of underlay and sub-floors is crucial to the proper wear and stability of any flooring.

EXPANSION

Apart from the first acclimatisation period of 48 hours before unpacking the planks, *Plantino Nexis* remains sensitive to expansion and contraction even after installation. This feature can easily be compensated for if you leave an expansion joint of 10mm on all sides, around door frames and thresholds.

IMPORTANT NOTICE

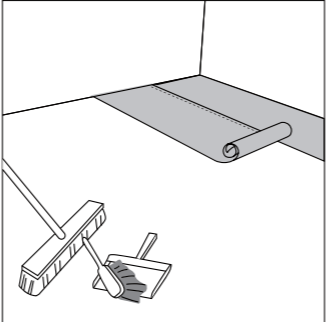
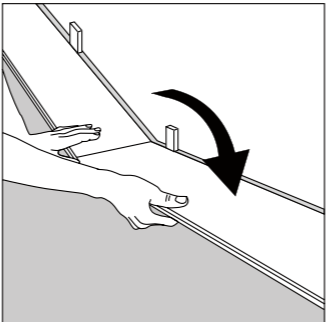
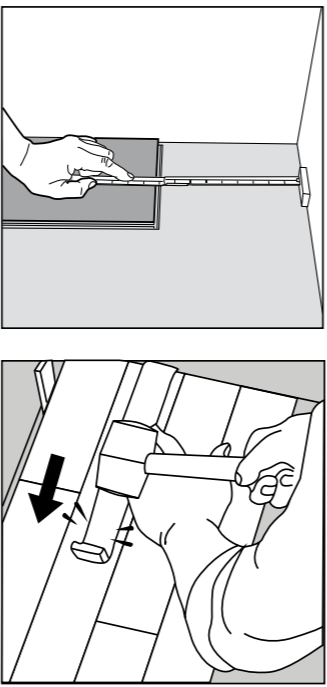
- In-floor Radiant Heat: due to the speed of sudden temperature changes, which has the potential to negatively affect laminate flooring construction, it is not recommended to install over any electrical radiant heating system. Installation over electrical radiant heating systems will not be covered by the manufacturer's warranty. Below instructions are for radiant heating systems using water/In-floor Hydro Heat.
- Maximum operating temperature should never exceed 27°C. Use of an in-floor temperature sensor is recommended to avoid overheating.
- Turn the heat off for 24 hours before, during and 24 hours after installation when installing over radiant heated subfloors.
- Operate the system at maximum capacity for 48 hours to force any residual moisture from the cementitious topping of the radiant heat system at least 4 days before installation.
- The maximum moisture content of the screed is 1.5% (CM method).
- Make sure that the temperature in the room is maintained consistent between 18-30°C and the relative humidity should be maintained between 30-65% before and during the installation.
- Once the installation is completed, the heating system should be turned on, at the ambient temperature and increased gradually 5°C degree increments every 24 hours until reaching normal operating conditions.
- Refer to the radiant heat system's manufacturer recommendations for additional guidance.

TIP: The best idea to maximize the results of your heating system is to have "ON" times with a comfort temperature and "OFF" times with setback temperatures which is normally 4°C lower than your comfort temperature. The setback temperatures are particularly important as these won't let the temperature of your room drop too much, meaning it is much quicker to heat your room back to comfort levels when it's needed.

PLANTINO NEXIS

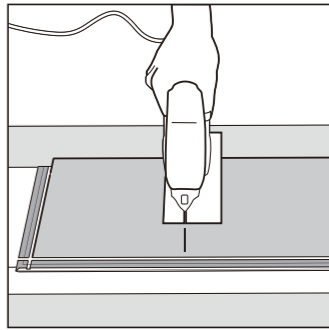
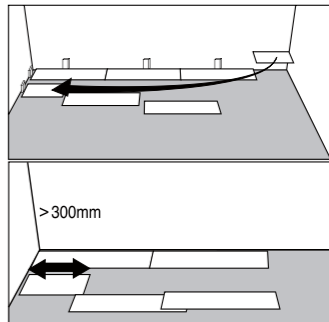
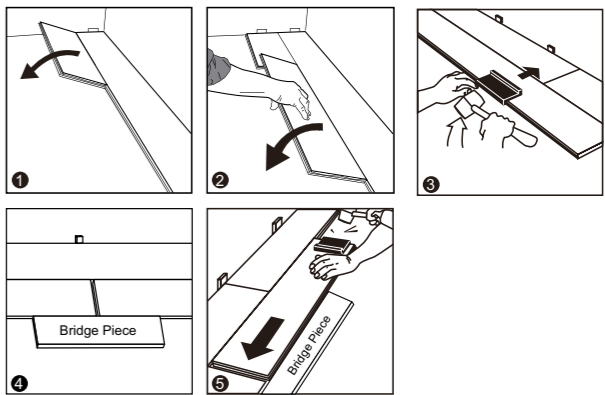
INSTALLATION GUIDELINES

INSTALLATION

<p>1. After thoroughly cleaning the sub-floor, install the Luxelay™ underlay in the same direction as the flooring planks. The underlay should be butted side-by-side with no overlap. Use the adhesive overlap tape on LuxeLay™ underlay to secure seams together. If required a moisture resistant tape can be used.</p>	
<p>2. First row, second plank: Insert the end tongue on the short side of the second plank into the end groove of the first one and rotate downward to assemble. Make sure both planks are perfectly aligned.</p> <p>NOTE: If you notice both planks aren't at the same height or are not well locked together, please follow the disassembling instructions at the bottom of the page, disassemble and check if any debris stuck inside the lock is obstructing.</p>	
<p>3. At the end of the first row: Leave a gap of 1/2" / 10 mm to the wall to avoid any damage while installing your floor and measure the length of the last plank to fit. Insert the short side and tap it closed, using a pull bar.</p>	

PLANTINO NEXIS

INSTALLATION GUIDELINES

<p>Cutting tip: If cutting with a jig saw, the laminate surface should be turned down. If cutting with a hand saw, the laminate surface should be face up.</p> <p>IMPORTANT: When cutting this product please use a dust mask or other safeguards for personal protection, it is advised to cut in a well-ventilated area.</p>	
<p>4. Starting second row: Rows can be started with end cuts if the cut plank is at least 12" / 30 cm long. If end cut is used for subsequent row a stair step pattern is established. Starting planks of random lengths will create a more aesthetic random stagger. Short end joints must not be closer than 8" / 20 cm to each other.</p>	
<p>5. Second row, first and second planks:</p> <p>Main Method: At a slight angle, click the long side of the first plank into the previous row and slide it against the spacer on the wall on the left. To complete the row, click the long side of the plank into the previous row at a slight angle and slide it close to the short end of the previous plank. Use a tapping block to gently tap along the long side until the joint is closed tightly, then tap in the short side of the second plank using the tapping block or cutoff into a locked position. Before tapping in the short side of the second plank, in order to make sure that adjacent planks are at the same height and aligned please use a cutoff plank as a bridge as shown on the image below, only then tap them in.</p> <p>Note: Uneven tapping or use of excessive force may damage the joint.</p>	

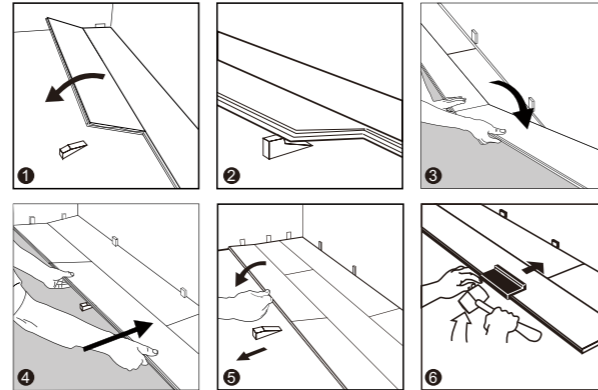
PLANTINO NEXIS

INSTALLATION GUIDELINES

PLANTINO NEXIS

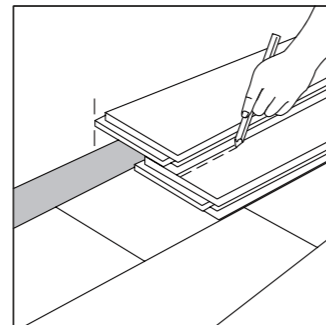
INSTALLATION GUIDELINES

Alternative Method: At a slight angle click the long side of the plank into the previous row, slide it against the spacer on the wall on the left and place an installation wedge under the board. Place the short end of the plank at an angle against the short side of the previously installed floorboard and fold down. Slide down the long side of the board into the locking groove of the adjacent floorboard in the previous row. When the whole row is complete, remove the wedge and fold the row down. Use a tapping block or cutoff to gently tap along the long side until the joint is closed tightly.

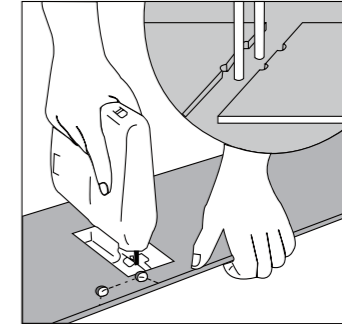


Tip: After finishing the installation of every row, use a tapping block or cutoff and a rubber mallet to gently tap the planks into the click of the previous row to make sure they are tightly clicked together and make sure there is no gap between the long side of the planks installed. Any gapping can compromise the whole installation.

6. To lay the last row: Position a loose board exactly on top of the last row laid. Place another board on top, with the tongue side touching the wall. Draw a line along the edge of this board, to mark the first board. Cut along the edge of this board to mark the first board. Cut along this line to obtain of the required width. Insert this cut board against the wall. The last row should be at least 2" / 50 mm wide. Using a pull bar and hammer, work evenly along the length of the plank and lightly tap the joint closed. The spacers can then be removed.



7. Holes for pipes: Measure the diameter of the pipe and drill a hole that is 3/4" / 20 mm larger. Saw off a piece as shown in the figure and lay the board in place on the floor. Then lay the sawed-off piece in place.



8. Door molding and skirting: Lay a board (with the decorative side down) next to the door molding and saw as shown in the figure. Then slide the floorboard under the molding.



PLANTINO NEXIS

INSTALLATION GUIDELINES

FINISHING THE INSTALLATION

Replace moulding or skirting base. Nail the moulding to the wall surface, not through the flooring. In areas where the flooring planks may meet other flooring surfaces, the use of a transition moulding is required to cover the exposed edge but do not pinch the planks. Leave a 10mm gap between the planks and the adjoining surface.

DISASSEMBLING

To disassemble, simply lift the planks one by one following the opposite sequence as the installation.

For any assistance please contact Signature Floors on 1800 150 554.

WARRANTY

Further information is available in our *Plantino Nexis* Care Guide & Warranty guideline from your place of purchase and Signature Floors website www.signaturefloors.com.au

Plantino Nexis - Installation Guidelines

Document ID: 100064

Revision No: 03

Date modified: 28/02/2023

Signature Floorcoverings Pty Ltd
ABN 45 007 172 938
PO Box 1122 Epping 3076 VIC Australia
13 Wurundjeri Drive, Epping 3076 VIC Australia
Tel: 1800 150 554
www.signaturefloors.com.au

15 Bath Street, Parnell Auckland 1052 New Zealand
Tel: 0800 150 555
www.signaturefloors.co.nz

